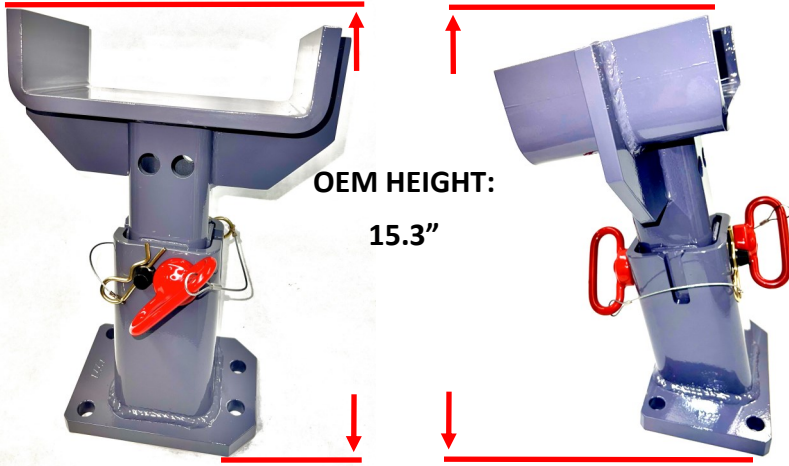




Aftermarket Adjustable Boom Support

**425 Aftermarket
P/N 4227**

Equivalent to EPIROC®:
"Support Complete"
P/N 3222 3494 19



OEM HEIGHT:
15.3"

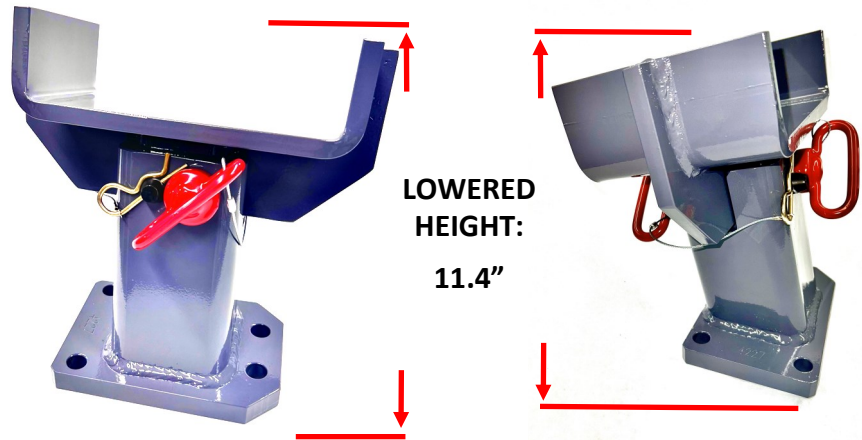
PROBLEM :

Customers had issues with OEM boom supports.
They are too tall for loading on trailers and transporting.

OUR SOLUTION :

425 Mfg's Aftermarket Adjustable Boom Support
Lowers down 4" using two pull pins. Makes loading and transporting easier, and still can be lifted to OEM height.

**OURS LOWERS
-4"
FOR TRAVEL!**



LOWERED
HEIGHT:
11.4"

425 Manufacturing is an Aftermarket Parts Manufacturer and not affiliated with or authorized by EPIROC®. Our parts are manufactured in our facility in Rockford, IL USA

425 Manufacturing, Inc. - Rockford, IL

www.425drillrigparts.com

Phone: 815-904-6363

E-mail: sales@425mfg.com